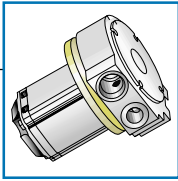




**HB800 POWER PACK**

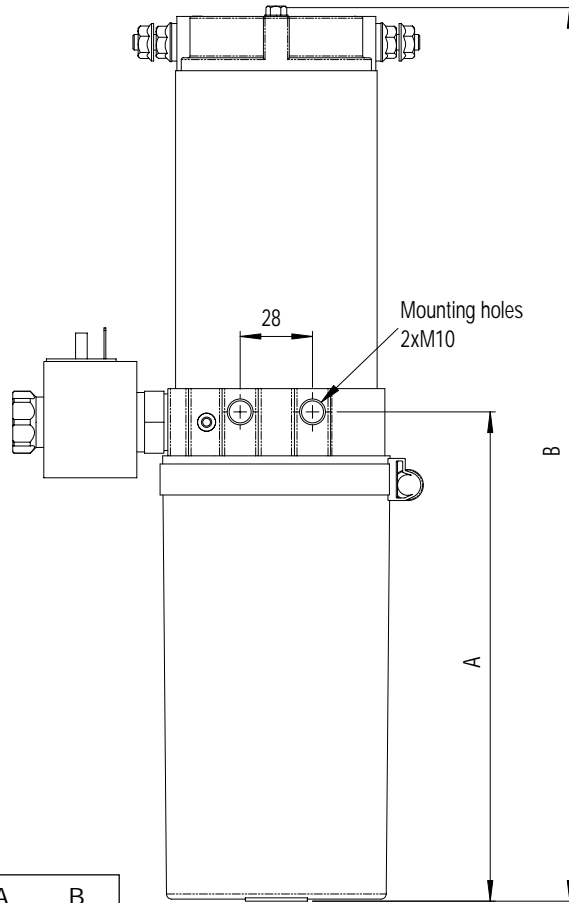




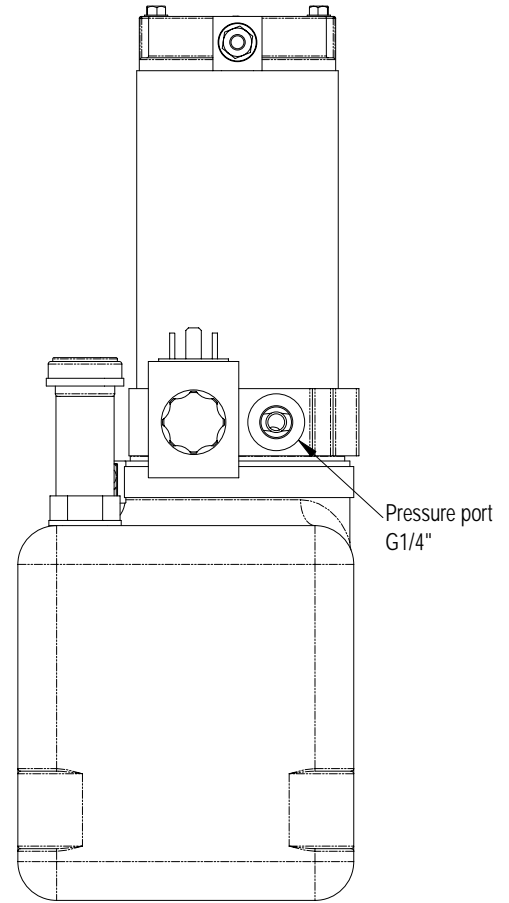
## HB800 POWER PACK

Haldex Hydraulic Systems' HB 800 is a rigid powerpack developed for easy mounting and installation. Preset relief valve and compact dimensions enable easy installation. The typical Haldex design

gives a high quality and performance unit especially dedicated to small forklift trucks (walkies), pick-up mounted lift-devices, auxillary and support functions, etc.

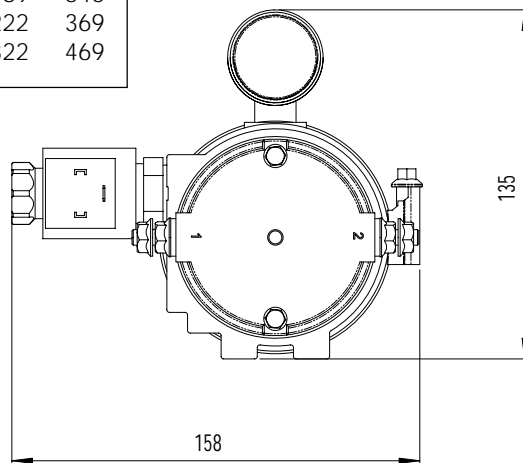


Cylindrical reservoir

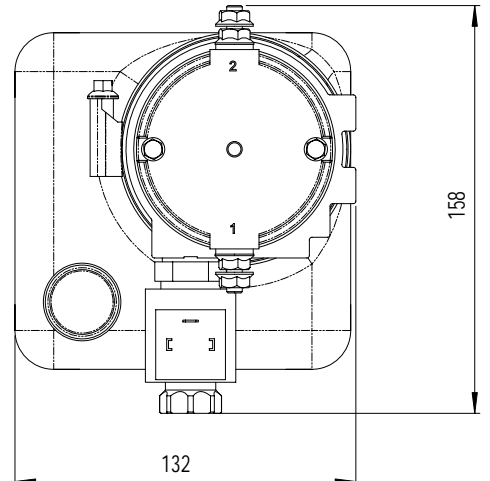


Rectangular reservoir

Reservoir	Volume	A	B
Cylindrical	0.5	197	354
Cylindrical	1.0	274	431
Rectangular	1.0	164	311
Rectangular	1.7	189	346
Rectangular	2.1	222	369
Rectangular	3.8	322	469

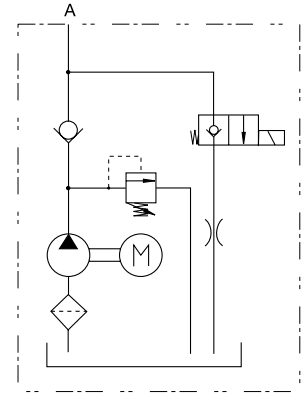


Cylindrical reservoir

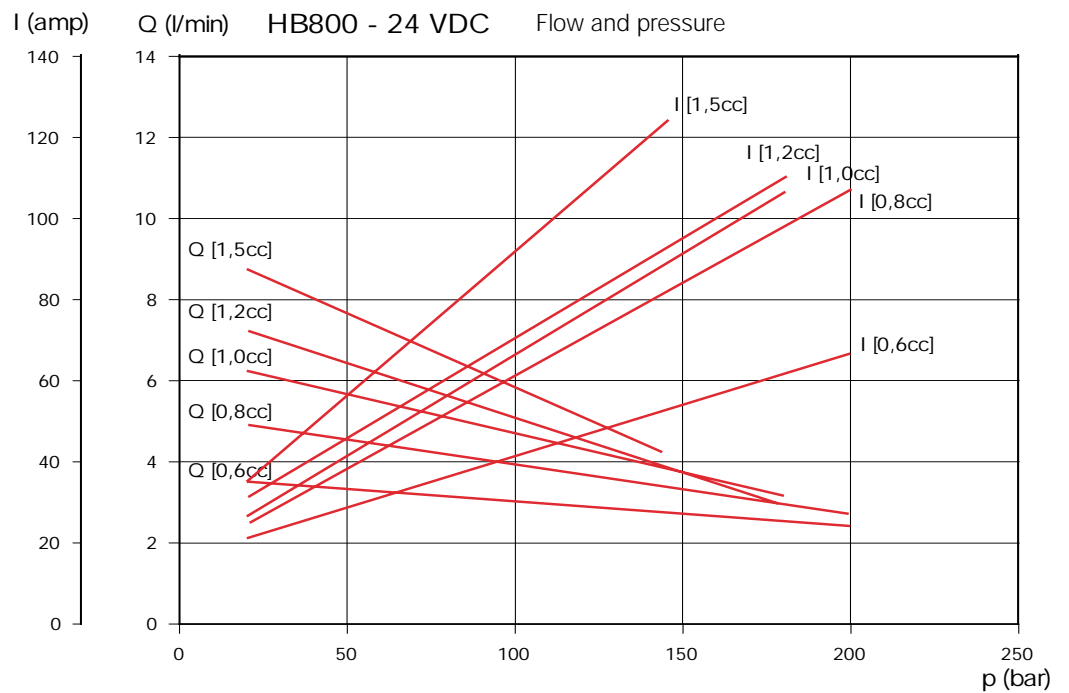
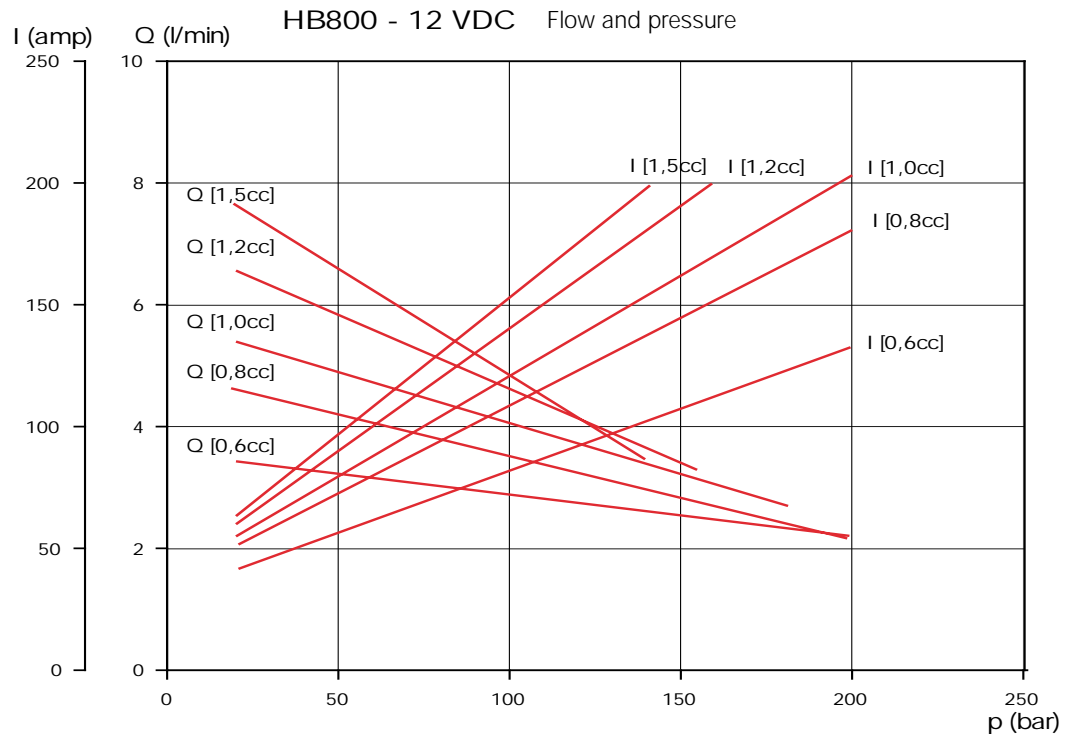
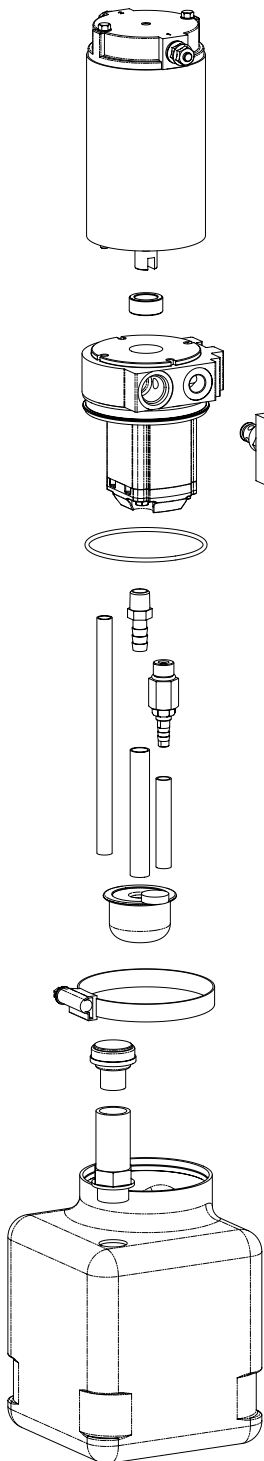


Rectangular reservoir

- 12 V DC motor, permanent magnet
- S3 9% at 0,7 kW
- 24 V DC motor, permanent magnet
- S3 12% at 0,9 kW
- Max operating pressure 180 bar
- IP43 protection
- Pressure balanced gear pump 0,6/0,8/1,0/1,25/1,5 cm<sup>3</sup> displ.
- Pressure port G 1/4"
- EMC tested and approved acc. to 95/54//EC:1995
- UL approved acc. to UL583



Hydraulic Circuit



# Haldex

HALDEX-HB800-GB-2004-02

[www.haldex.com](http://www.haldex.com)




**Haldex Hydraulics AB**  
Industrigatan 6  
Box 511  
SE-195 25 ARLANDASTAD  
Sweden  
Tel: +46-8 591 288 50  
Fax: +46-8 591 288 60  
[info.hydraulics.eu@haldex.com](mailto:info.hydraulics.eu@haldex.com)

**Haldex Hydraulics AB**  
Ringvägen 3  
SE-280 40 SK. FAGERHULT  
Sweden  
Tel: +46-433 32400  
Fax: +46-433 30546  
[info.hydraulics.eu@haldex.com](mailto:info.hydraulics.eu@haldex.com)

**Haldex Hydraulics GmbH**  
Seligenweg 12  
Postfach 1507  
DE-95014 HOF  
Germany  
Tel: +49-9281 895-0  
Fax: +49-9281 87133  
[info.hydraulics.eu@haldex.com](mailto:info.hydraulics.eu@haldex.com)

**Haldex Hydraulics Corp.**  
2222 15th Street  
ROCKFORD, IL 61104  
USA  
Tel: +1-815 398 4400  
Fax: +1-815 398 5977  
[info.hydraulics.us@haldex.com](mailto:info.hydraulics.us@haldex.com)

**Haldex Hydraulics Corp.**  
214 James Farm Road  
Statesville, NC 28625  
USA  
Tel: +1-704 873 2587  
Fax: +1-704 838 7989  
[info.hydraulics.us@haldex.com](mailto:info.hydraulics.us@haldex.com)

 The Haldex group ([www.haldex.com](http://www.haldex.com)), with headquarters in Stockholm, is a provider of proprietary and innovative solutions to the global vehicle industry, with emphasis on products related to vehicle dynamics, safety and environmental issues. Haldex is listed on the Stockholm Stock Exchange and has annual sales of 6.5 billion SEK with 4,000 employees.

## PRODUCT RANGE

**HE Powerpacks**  
12/24/48 VDC 0.3 – 4.5 kW and  
0.75 – 3 kW AC modular power  
packs

**HB Powerpacks**  
12/24 VDC compact powerpacks

**Pressure Switches**  
5 - 350 bar, connecting/  
disconnecting

**HE Box Powerpacks**  
12/24/48 VDC modular  
powerpacks in weatherproof  
boxes

**W100 Hydraulic pumps**  
0,5 - 2,0 cc 227 bar

**W300 Hydraulic pumps**  
0.8 – 5.7 cc 230 bar

**W600 Hydraulic pumps**  
3 – 12 cc 276 bar

**WM600 Hydraulic motors**  
3 – 12 cc 276 bar

**W900 Hydraulic pumps**  
5 – 31 cc/section 276 bar

**WM900 Hydraulic motors**  
5 - 31 cc/section 276 bar

**WQ900 The quiet pump**  
5 - 23 cc/section 230 bar

**W1500 Hydraulic pumps**  
19 - 50 cc/section 276 bar

**WM1500 Hydraulic motors**  
19 - 50 cc/section 276 bar

**GPA Internal Gear pumps**  
1.7 – 63 cc/section 100 bar

**GC Hydraulic pumps**  
1.06 – 11.65 cc/section 275 bar

**II-Stage Hydraulic pumps**  
4.2 – 22.8 cc/section 275 bar

**Rotary Flow Dividers**  
3.8 – 13.3 cc/section 300 bar

**G20/G30 (LS) Hydraulic pumps**  
23 – 161 cc/section 275 bar

**Transmission pumps**

**Closed Crankcase Ventilation**

**Fuel pumps**