





**FABRILCAR** COMPONENTES PARA AUTOMOVEIS, LDA  
 RUA DR. SILVA PINTO - ZONA INDUSTRIAL - APARTADO 131  
 OLIVEIRA DE AZEITEIS CODEX - PORTUGAL  
 TELES. 351 56 686522/3 \* FAX 351 56 686524

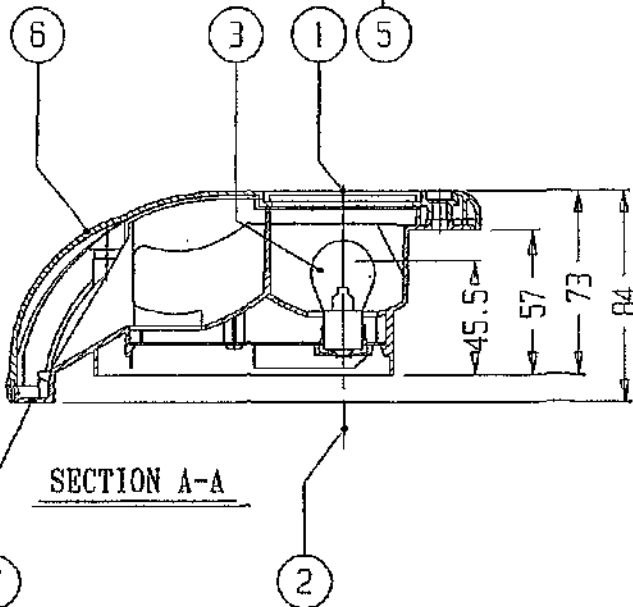
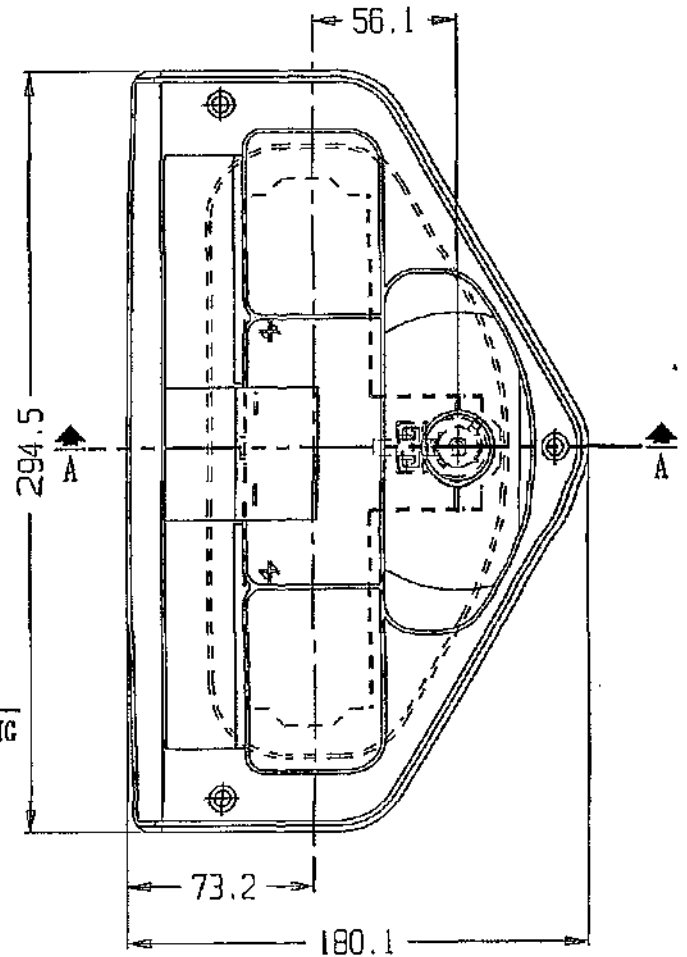
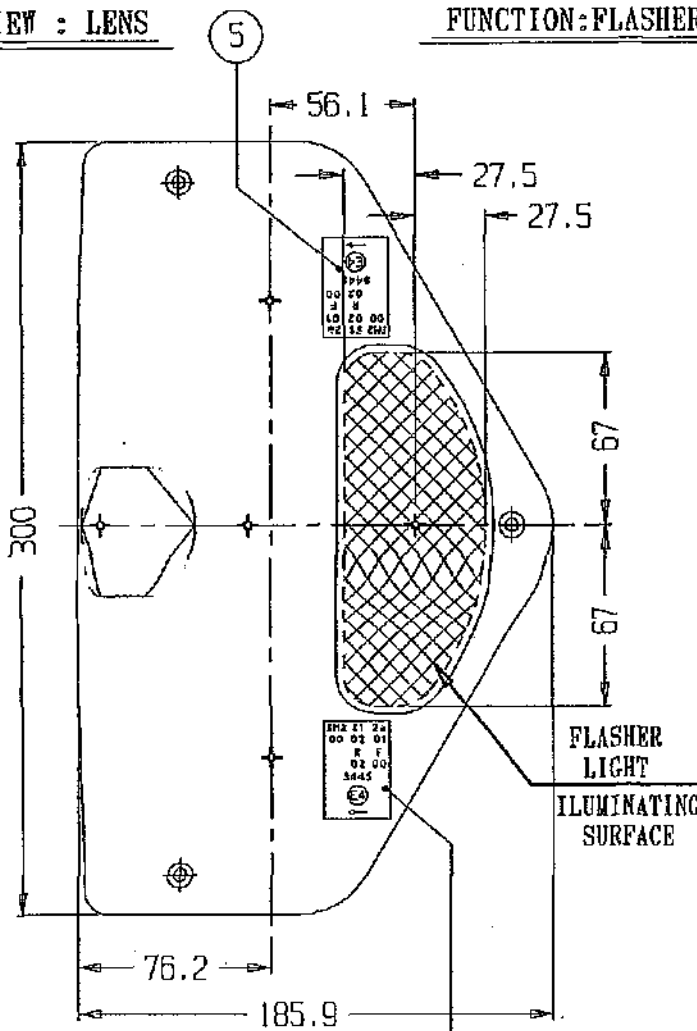
Part Name: LAMP 2000 LH  
 Part Number: 80036001/2

Draw by: C. Duarte  
 Date: 4-06-97  
 Checked by: [Signature]  
 Sheet Nr.: 2 de 6  
 Drawing Nr.: 80036001/2

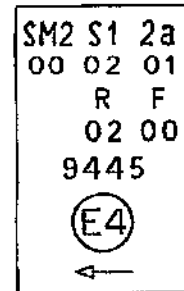
TOP VIEW : LENS

FUNCTION: FLASHER LIGHT

TOP VIEW : HOUSING



LAYOUT OF APPROVAL MARKING



NOTE:  
 -DRAWING SHOT LH / RH SYMMETRIC  
 -DIMENSIONS - mm  
 -SCALE 1:3



MEMORIA DESCRITIVA

- 1 - CENTRE OF REFERENCE
- 2 - AXIS OF REFERENCE
- 3 - BULB PY21W 12V
- 4 - MOVEMENT OF VEHICLE
- 5 - LOCATION OF APPROVAL MARKING
- 6 - LENS : PMMA
- 7 - HOUSING : ABS



**FABRILCAR** COMPONENTES PARA AUTOMOVEIS, LDA

RLA DR. SELVA PINTO - ZONA INDUSTRIAL - APARTADO 131  
OLIVEIRA DE AZEMEIS CODEX - PORTUGAL  
TELES. 351 56 686522/3 \* FAX 351 56 686524

Part Name:

LAMP 2000 LH

Draw by:  
C. Duarte

Date  
4-06-97

Part Number: 80036001/2

Checked by:  
*[Signature]*

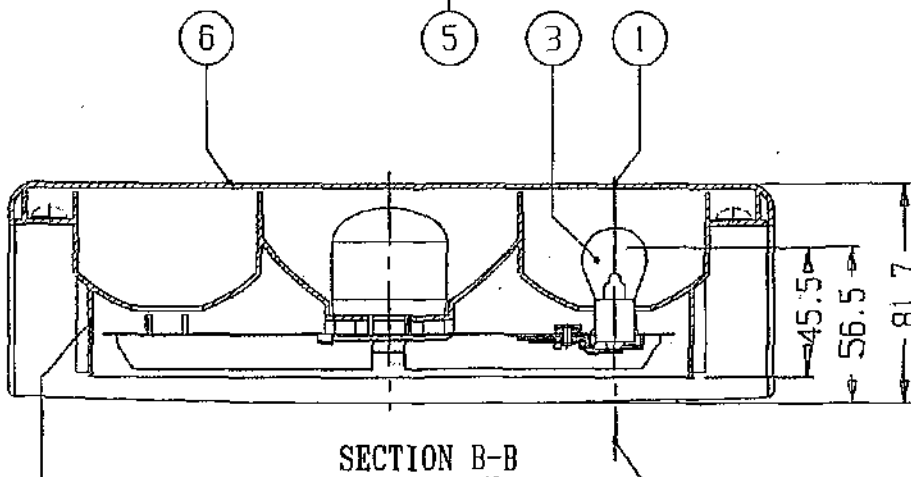
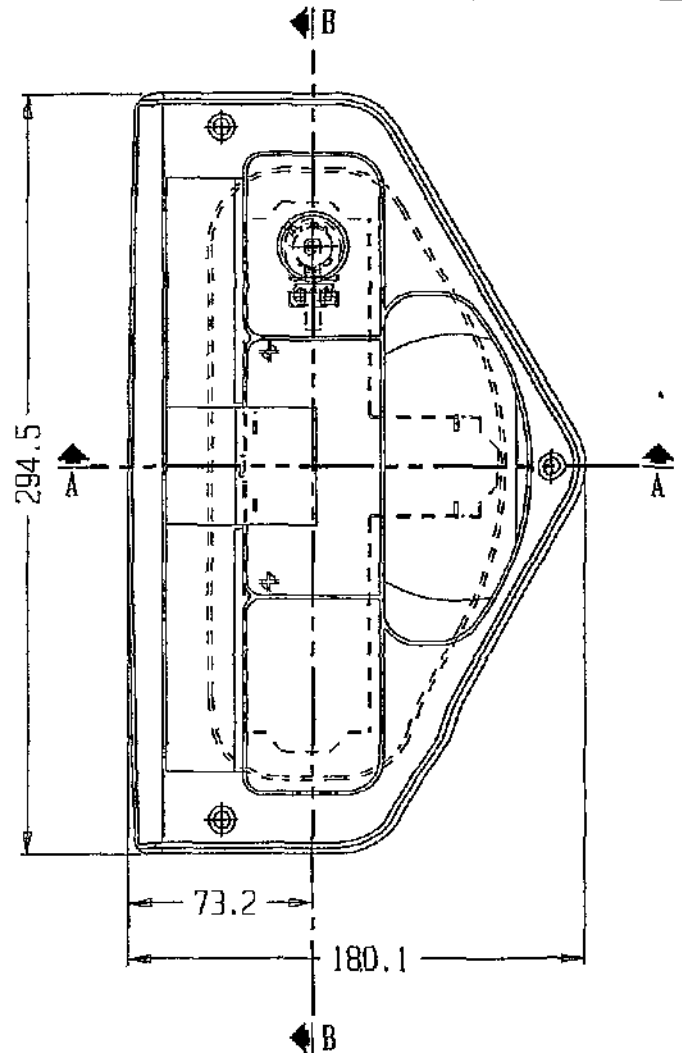
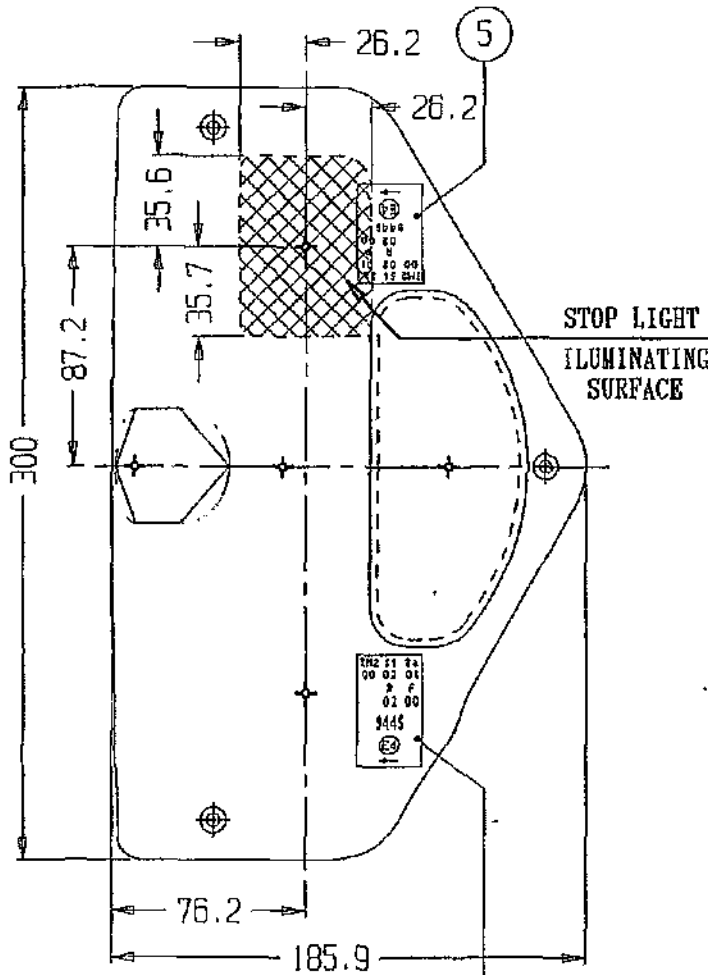
Sheet Nr.  
4 de 6

Drawing Nr.: 80036001/2

TOP VIEW : LENS

FUNCTION: STOP LIGHT

TOP VIEW : HOUSING



LAYOUT OF APPROVAL MARKING

SM2 S1 2a  
00 02 01  
R F  
02 00  
9445  
E4  
←

MEMORIA DESCRITIVA

- 1 - CENTRE OF REFERENCE
- 2 - AXIS OF REFERENCE
- 3 - BULB P21T 12V
- 4 - MOVEMENT OF VEHICLE
- 5 - LOCATION OF APPROVAL MARKING
- 6 - LENS : PMMA
- 7 - HOUSING : ABS

NOTE:  
-DRAWING SHON LH / RH SYMMETRIC  
-DIMENSIONS - mm  
-SCALE 1:3





**FABRILCAR** COMPONENTES PARA AUTOMOVEIS, LDA

RUA DR. SILVA PINTO - ZONA INDUSTRIAL - APARTADO 131  
OLIVEIRA DE AZEITEIS CODEX - PORTUGAL  
TELES. 351 56 686522/3 \* FAX 351 56 686524

Part Name:

LAMP 2000 LH / RH

Draw by  
C. Duarte

Date  
25-08-97

Part Number:

80036001/2

Checked by:  
*frank*

Sheet Nr.  
1 de 8

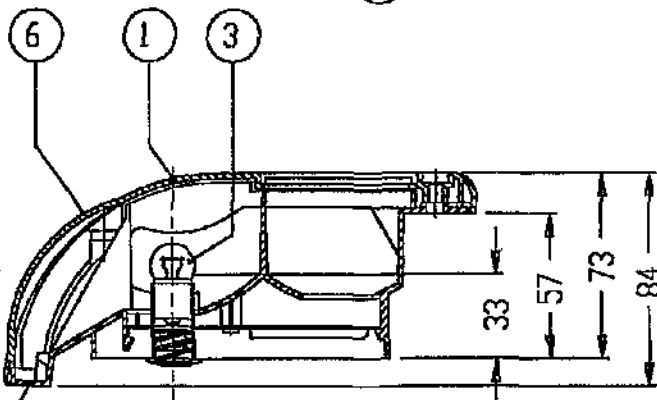
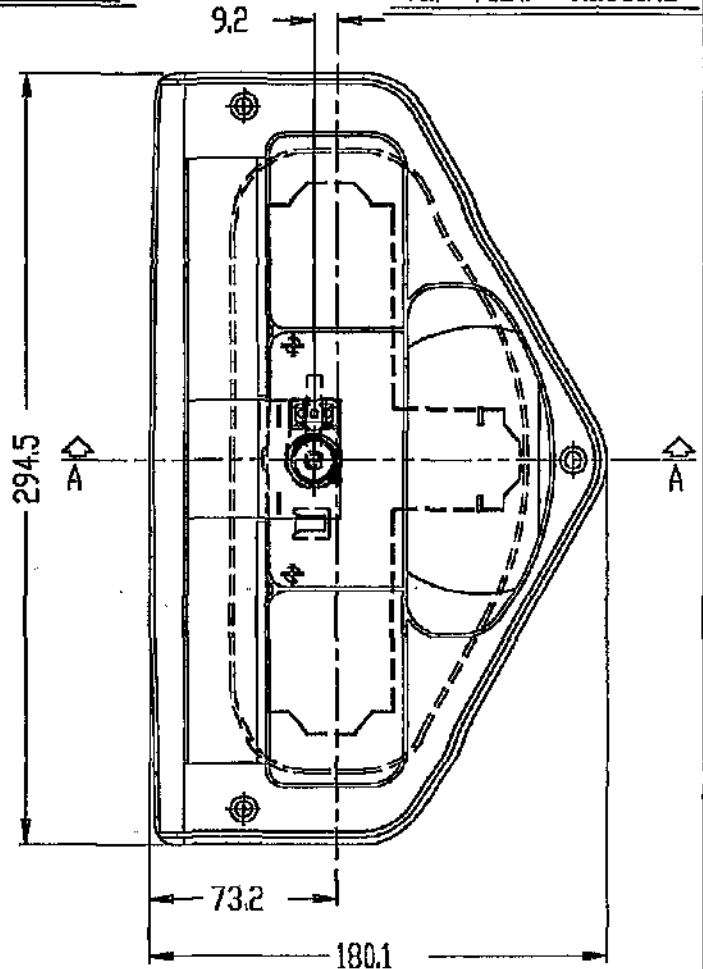
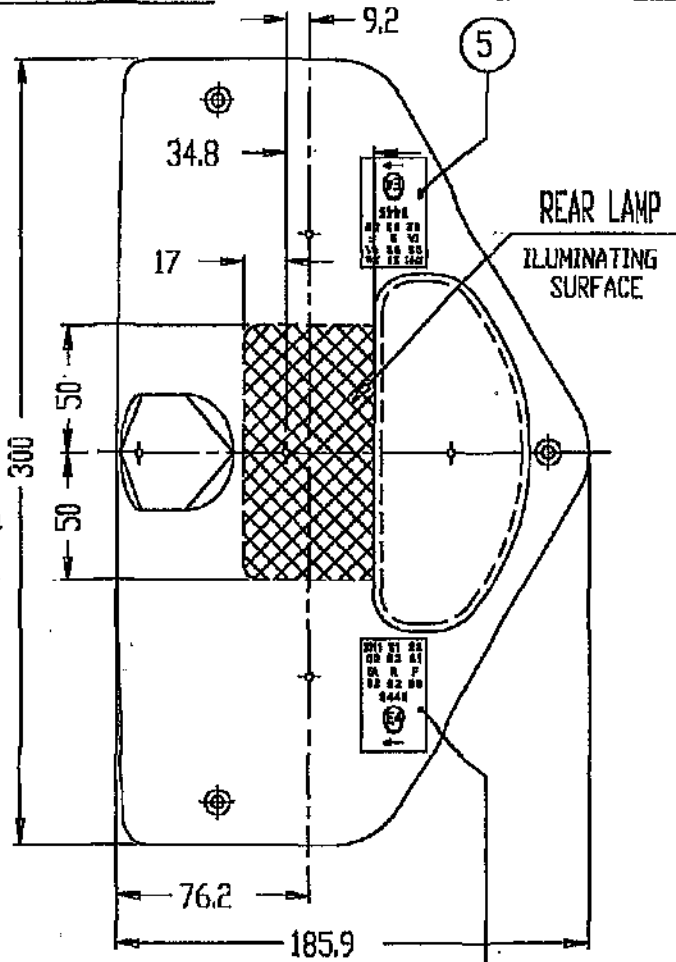
Drawing Nr:

80036001/2

TOP VIEW : LENS

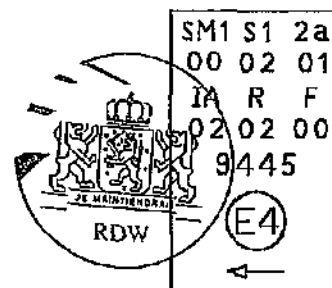
FUNCTION: REAR LAMP

TOP VIEW : HOUSING



SECTION A-A

LAYOUT OF APPROVAL MARKING



NOTE:  
-DRAWING SHOW LH / RH SYMMETRIC  
-DIMENSIONS - mm  
-SCALE 1:3

MEMORIA DESCRITIVA

- 1 - CENTRE OF REFERENCE
- 2 - AXIS OF REFERENCE
- 3 - BULB R10W 12V
- 4 - MOVEMENT OF VEHICLE
- 5 - LOCATION OF APPROVAL MARKING
- 6 - LENS : PMMA
- 7 - HOUSING : ABS



# FABRILCAR COMPONENTES PARA AUTOMOVEIS, LDA

RUA DR. SILVA PINTO - ZONA INDUSTRIAL - APARTADO 131  
OLIVEIRA DE AZEITEIS CODEX - PORTUGAL  
TELES. 351 56 686522/3 \* FAX 351 56 686524

Part Name:

LAMP 2000 LH

Draw by:  
C. Duarte

Date  
4-06-97

Part Number: 80036001/2

Checked by:

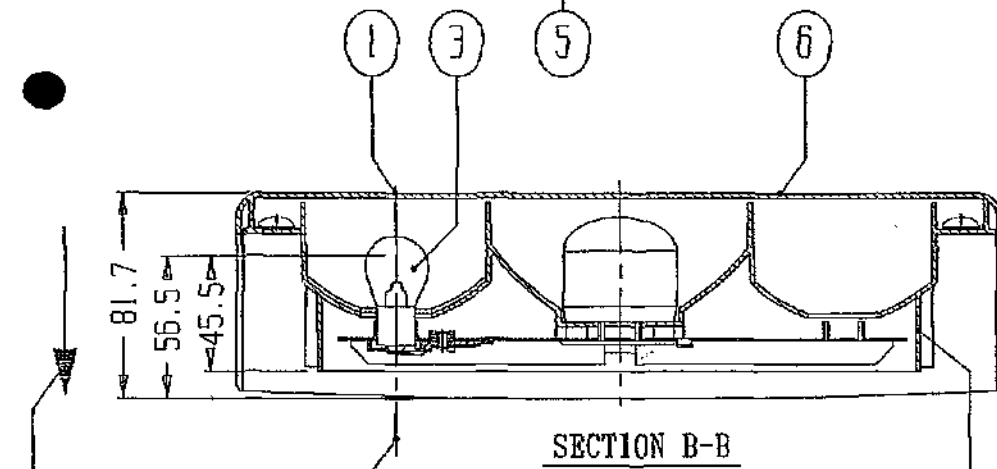
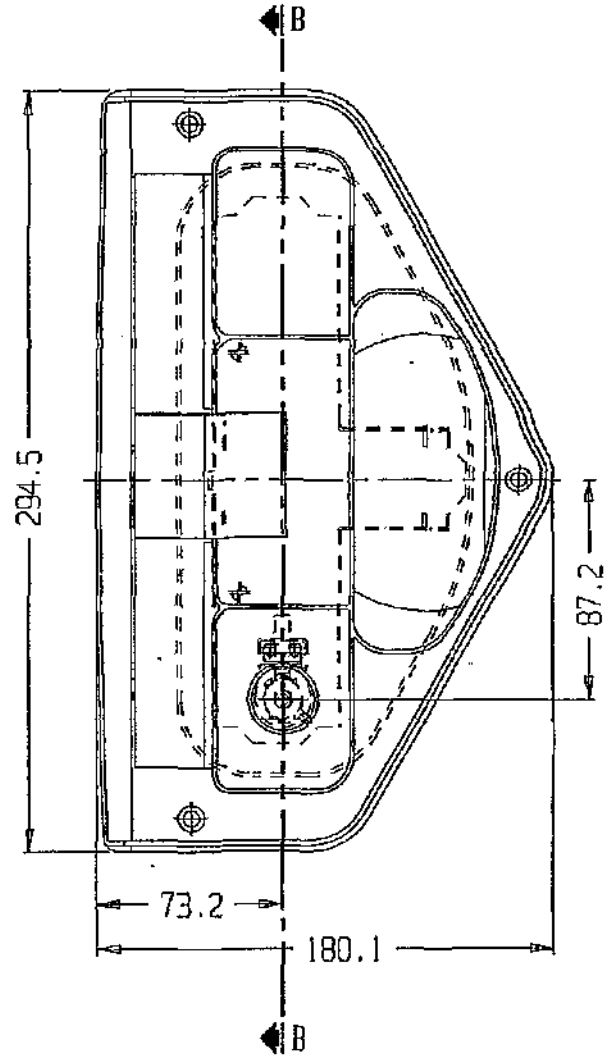
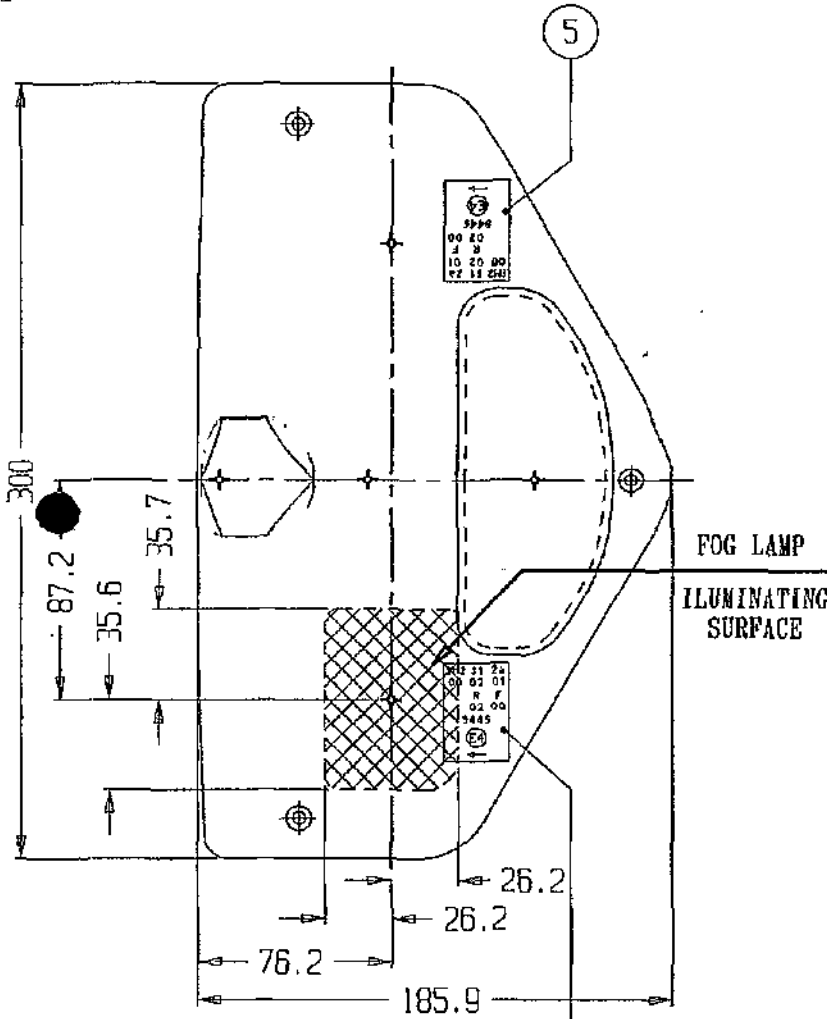
Sheet Nr.  
3 de 6

Drawing Nr.: 80036001/2

## TOP VIEW : LENS

## FUNCTION: FOG LAMP

## TOP VIEW : HOUSING



### LAYOUT OF APPROVAL MARKING

SM2	S1	2a
00	02	01
R	F	
	02	00
9445		
(E4)		
←		

### MEMORIA DESCRITIVA

- 1 - CENTRE OF REFERENCE
- 2 - AXIS OF REFERENCE
- 3 - BULB P21V 12V
- 4 - MOVEMENT OF VEHICLE
- 5 - LOCATION OF APPROVAL MARKING
- 6 - LENS : PKVA
- 7 - HOUSING : ABS

NOTE:  
-DRAWING SHON LH / RH SYMMETRIC  
-DIMENSIONS - mm  
-SCALE 1:3





**FABRILCAR** COMPONENTES PARA AUTOMOVEIS, LDA

RUA DR. SILVA PINTO - ZONA INDUSTRIAL - APARTADO 131  
OLIVEIRA DE AZEITEIS CODEX - PORTUGAL  
TELES. 351 56 686522/3 \* FAX 351 56 686524

Part Name:

LAMP 2000 LH / RH

Draw by:  
C. Duarte

Date:  
25-08-97

Part Number:

80036001/2

Checked by:  
*J. J. J.*

Sheet Nr.  
5 de 8

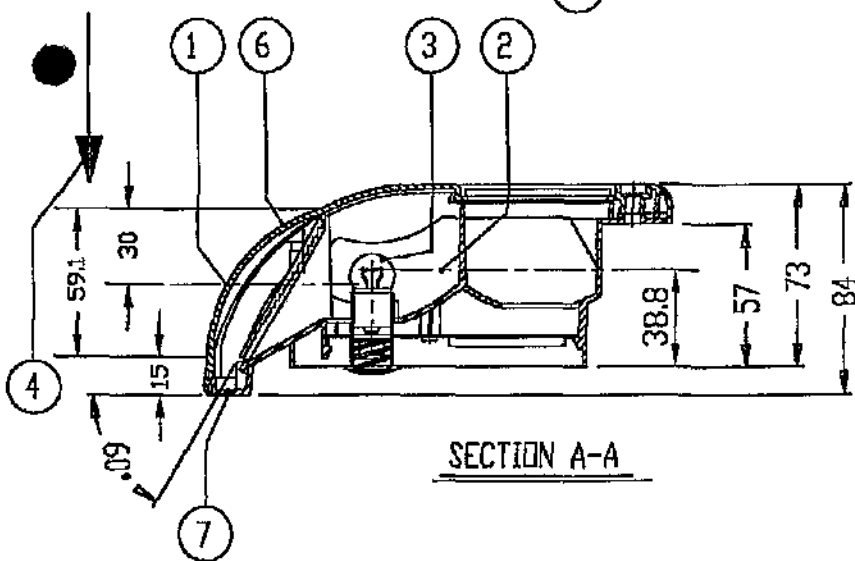
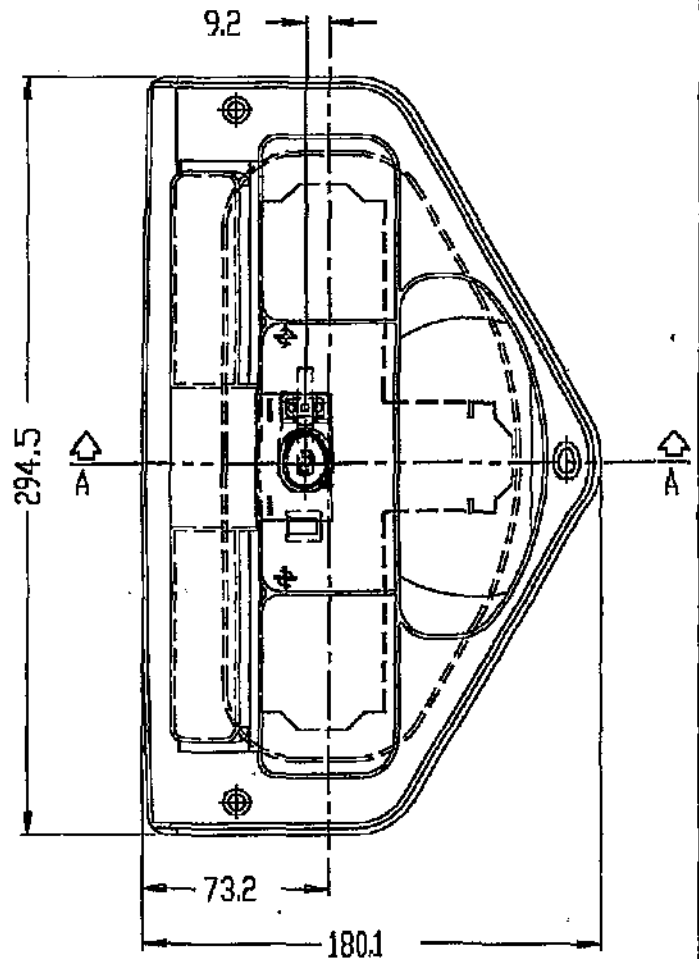
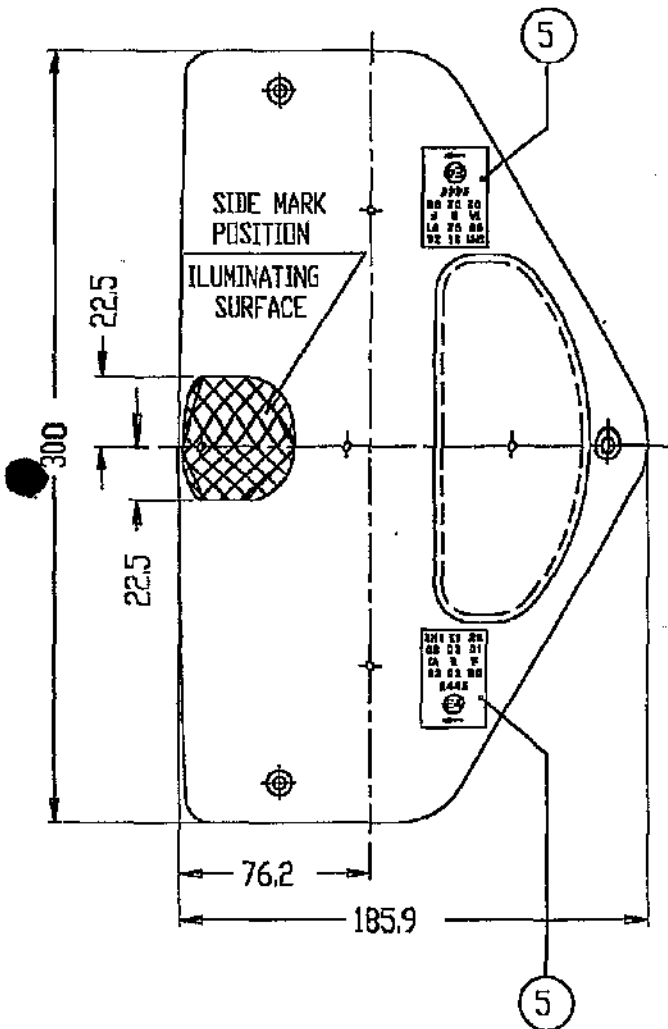
Drawing Nrs

80036001/2

TOP VIEW : LENS

FUNCTION SIDE MARK POSITION

TOP VIEW : HOUSING



LAYOUT OF APPROVAL MARKING

SM1	S1	2a
00	02	01
IA	R	F
02	02	00
9445		
(E4)		



MEMORIA DESCRITIVA

- 1 - CENTRE OF REFERENCE
- 2 - AXIS OF REFERENCE
- 3 - BULB RIOW 12V
- 4 - MOVEMENT OF VEHICLE
- 5 - LOCATION OF APPROVAL MARKING
- 6 - LENS : PHVA
- 7 - HOUSING : ABS

NOTE:  
-DRAWING SHOW LH / RH SYMMETRIC  
-DIMENSIONS - mm  
-SCALE 1/3



**FABRILCAR** COMPONENTES PARA AUTOMOVEIS, LDA

RUA DR. SILVA PINTO - ZONA INDUSTRIAL - APARTADO 131  
OLIVEIRA DE AZEITEIS CIDEX - PORTUGAL  
TELES. 351 56 686522/3 \* FAX 351 56 686524

Part Name:

LAMP 2000 LH / RH

Draw by  
C. Duarte

Date  
25-08-97

Part Number:

80036001/2

Checked by  
*[Signature]*

Sheet Nr.  
7 de 8

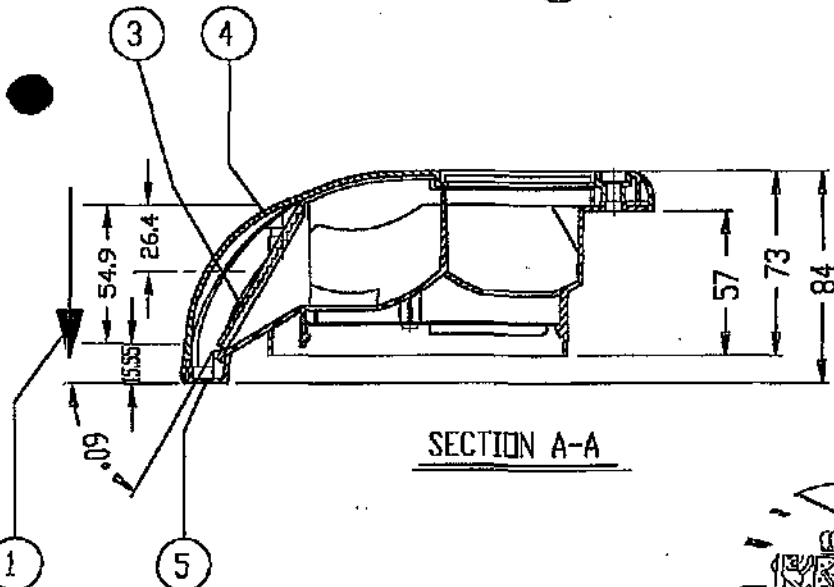
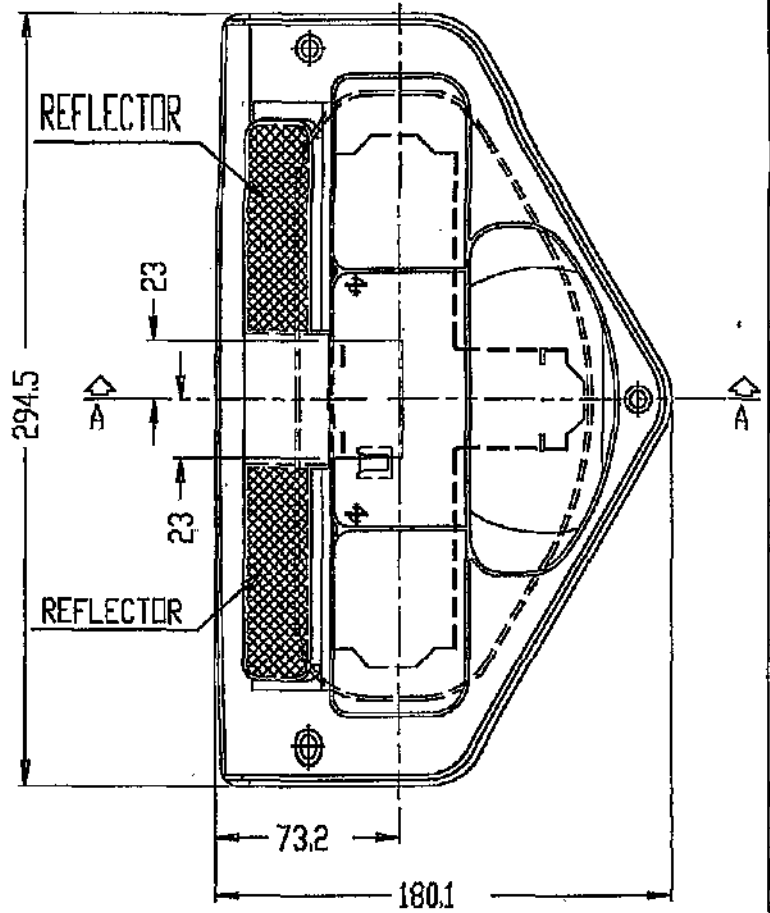
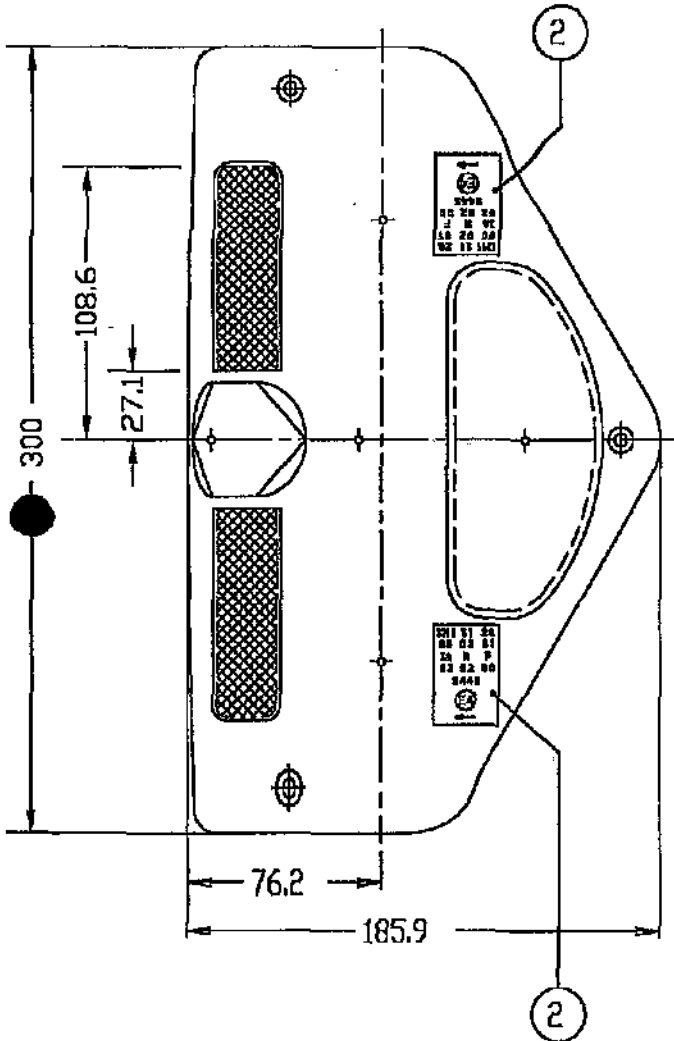
Drawing Nr.

80036001/2

TOP VIEW - LENS

FUNCTION REFLECTOR

TOP VIEW - HOUSING



LAYOUT OF APPROVAL MARKING

SM1	S1	2a
00	02	01
IA	R	F
02	02	00
9445		
(E4)		
←		

SECTION A-A



MEMORIA DESCRITIVA

- 1 - MOVEMENT OF VEHICLE
- 2 - LOCATION OF APPROVAL MARKING
- 3 - REFLECTOR : PMMA WELDING BY ULTRASONIC POWER
- 4 - LENS : PMMA
- 5 - HOUSING : ABS

NOTE:  
-DRAWING SHOW LH / RH SYMMETRIC  
-DIMENSIONS - mm  
-SCALE 1:3



RDW

Centrum voor voertuigtechniek en informatie  
N E D E R L A N D  
(THE NETHERLANDS)



COMMUNICATION

Concerning: APPROVAL GRANTED  
~~APPROVAL EXTENDED~~  
~~APPROVAL REFUSED~~  
~~APPROVAL WITHDRAWN~~  
~~PRODUCTION DEFINITELY DISCONTINUED~~

of a type of device pursuant to Regulation No. 6

Approval No.: E4 - 6R - 01 9445

Extension No.: --

Approval mark:  
(LH-Mounting)

2a  
01  
9445



- |   |                                                            |   |                                                                                   |
|---|------------------------------------------------------------|---|-----------------------------------------------------------------------------------|
| 1 | Trade name or mark of the device                           | : | JOKON                                                                             |
| 2 | Manufacturer's name for the type of device                 | : | LAMP 2000 (LH or RH)                                                              |
| 3 | Manufacturer's name and address                            | : | Fabrilcar<br>Componentes para Automóveis, Lda.<br>Oliveira de azemeis<br>Portugal |
| 4 | Name and address of his representative                     | : | --                                                                                |
| 5 | Submitted for approval on                                  | : | June 9, 1997                                                                      |
| 6 | Technical service responsible for conducting approval test | : | N.V. KEMA                                                                         |
| 7 | Date of test report                                        | : | July 4, 1997                                                                      |
| 8 | Number of test report                                      | : | 97-144                                                                            |
| 9 | Concise description:                                       |   |                                                                                   |
|   | Category                                                   | : | 2a                                                                                |
|   | Number and category of filament lamp(s)                    | : | PY21W, one lamp                                                                   |

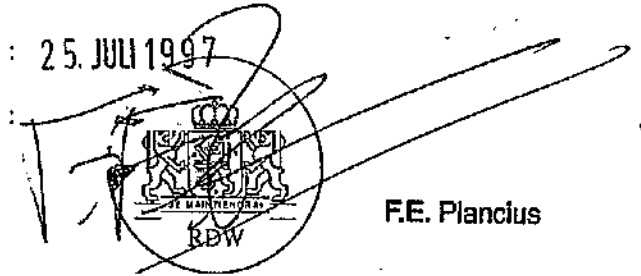




Approval No.: E4 - 6R - 01 9445

Extension No.: --

- 10 Position of the approval mark : see annexed drawing
- 11 Reasons for extension if applicable : --
- 12 Approval granted/refused/extended/withdrawn
- 13 Place : Zoetermeer
- 14 Date : 25. JULI 1997
- 15 Signature :



F.E. Plancius

- 16 The list of documents deposited with the Administrative Service which has granted approval is annexed to this communication and may be obtained on request:
- 1 drawing No. 80036001/2 Sheet Nr. 2 de 6 dated 4-06-97 (annexed)
  - test report as mentioned in item 8

751-5887



RDW

Centrum voor voertuigtechniek en informatie

N E D E R L A N D  
(THE NETHERLANDS)



COMMUNICATION

Concerning: ~~APPROVAL GRANTED~~  
~~APPROVAL EXTENDED~~  
~~APPROVAL REFUSED~~  
~~APPROVAL WITHDRAWN~~  
~~PRODUCTION DEFINITELY DISCONTINUED~~

of a type of device pursuant to Regulation No. 7

Approval No.: E4 - 7R - 02 9445

Extension No.: 1

Approval mark:

R  
02  
9445

(LH-mounting)



- |   |                                                            |                                                                                  |
|---|------------------------------------------------------------|----------------------------------------------------------------------------------|
| 1 | Trade name or mark of the device                           | : JOKON                                                                          |
| 2 | Manufacturer's name for the type of device                 | : LAMP 2000 (LH or RH) RDW                                                       |
| 3 | Manufacturer's name and address                            | : Fabrilcar Componentes para Automóveis, Lda.<br>Oliveira de azemeis<br>Portugal |
| 4 | Name and address of his representative                     | : --                                                                             |
| 5 | Submitted for approval on                                  | : June 9, 1997; <u>August 20, 1997</u>                                           |
| 6 | Technical service responsible for conducting approval test | : N.V. KEMA                                                                      |
| 7 | Date of test report                                        | : July 4, 1997; <u>September 8, 1997</u>                                         |
| 8 | Number of test report                                      | : 97-144; <u>97-189</u>                                                          |
| 9 | Concise description:                                       |                                                                                  |
|   | By category of lamps                                       | : R                                                                              |
|   | Colour of light emitted                                    | : <del>red/selective yellow/white</del>                                          |
|   | Number and category of filament lamp(s)                    | : <u>R10W</u> , one lamp                                                         |



Approval No.: E4 - 7R - 02 9445

Extension No.: 1

- 10 Position of the approval mark : see annexed drawing
- 11 Reasons for extension if applicable : using R10W filament lamp instead of a R5W filament lamp
- 12 Approval ~~granted/refused~~/extended/withdrawn
- 13 Place : Zoetermeer
- 14 Date : 22 SEP. 1997
- 15 Signature :



- 16 The list of documents deposited with the Administrative Service which has granted approval is annexed to this communication and may be obtained on request:
- 1 drawing No. 80036001/2 Sheet Nr. 1 de 8 dated 25-08-97 (annexed)
  - test report as mentioned in item 8

751-7503



RDW

Centrum voor voertuigtechniek en informatie  
N E D E R L A N D  
(THE NETHERLANDS)



COMMUNICATION

Concerning: APPROVAL GRANTED  
~~APPROVAL EXTENDED~~  
~~APPROVAL REFUSED~~  
~~APPROVAL WITHDRAWN~~  
~~PRODUCTION DEFINITELY DISCONTINUED~~

of a type of device pursuant to Regulation No. 7

Approval No.: E4 - 7R - 02 9445

Extension No.: --

Approval mark:  
(LH-mounting)

S1  
02  
9445



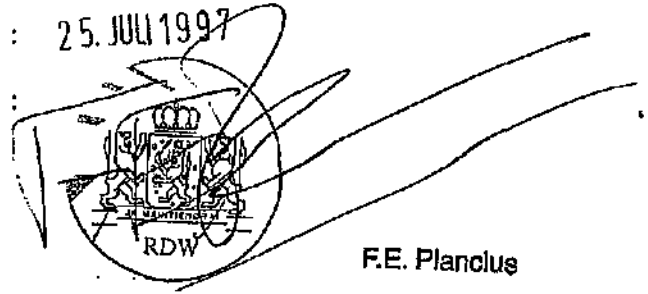
- |   |                                                            |   |                                                                                   |
|---|------------------------------------------------------------|---|-----------------------------------------------------------------------------------|
| 1 | Trade name or mark of the device                           | : | JOKON                                                                             |
| 2 | Manufacturer's name for the type of device                 | : | LAMP 2000 (LH or RH)                                                              |
| 3 | Manufacturer's name and address                            | : | Fabrilcar<br>Componentes para Automóveis, Lda.<br>Oliveira de azemeis<br>Portugal |
| 4 | Name and address of his representative                     | : | --                                                                                |
| 5 | Submitted for approval on                                  | : | June 9, 1997                                                                      |
| 6 | Technical service responsible for conducting approval test | : | N.V. KEMA                                                                         |
| 7 | Date of test report                                        | : | July 4, 1997                                                                      |
| 8 | Number of test report                                      | : | 97-144                                                                            |
| 9 | Concise description:                                       |   |                                                                                   |
|   | By category of lamps                                       | : | S1                                                                                |
|   | Colour of light emitted                                    | : | <del>red/selective yellow/white-</del>                                            |
|   | Number and category of filament lamp(s)                    | : | one lamp, P21W                                                                    |



Approval No.: E4 - 7R - 02 9445

Extension No.: --

- 10 Position of the approval mark : see annexed drawing
- 11 Reasons for extension if applicable : --
- 12 Approval granted/refused/extended/withdrawn
- 13 Place : Zoetermeer
- 14 Date : 25. JULI 1997
- 15 Signature :



- 16 The list of documents deposited with the Administrative Service which has granted approval is annexed to this communication and may be obtained on request:
- 1 drawing No. 80036001/2 Sheet Nr. 4 de 6 dated 4-06-97 (annexed)
  - test report as mentioned in item 8



RDW

Centrum voor voertuigtechniek en informatie

N E D E R L A N D  
(THE NETHERLANDS)



COMMUNICATION

Concerning: ~~APPROVAL GRANTED~~  
~~APPROVAL EXTENDED~~  
~~APPROVAL REFUSED~~  
~~APPROVAL WITHDRAWN~~  
~~PRODUCTION DEFINITELY DISCONTINUED~~

of a type of side-marker lamp marked SM1 pursuant to Regulation No. 91

Approval No.: E4 - 91R - 00 9445

Extension No.: 1

Approval mark:

SM1  
00  
9445



- 1 Trade name or mark of the side-marker lamp : JOKON
- 2 Manufacturer's name for the type of device : LAMP 2000 (LH or RH)
- 3 Manufacturer's name and address : Fabricar Componentes para Automóveis, Lda.  
Oliveira de azemeis  
Portugal
- 4 Name and address of his representative : --
- 5 Submitted for approval on : June 9, 1997; August 20, 1997
- 6 Technical service responsible for conducting approval test : N.V. KEMA
- 7 Date of test report : July 4, 1997; September 8, 1997
- 8 Number of test report : 97-144; 97-189
- 9 Concise description :  
Colour of light emitted : amber/red  
Number and category of filament lamps : one lamp, R-10 W



Approval No.: E4 - 91R - 00 9445

Extension No.: 1

- 10 Position of the approval mark : see annexed drawing
- 11 Reasons for extension if applicable : changing from category SM2 to SM1 by using R10W filament lamp instead of R5W
- 12 Approval ~~granted/refused~~/extended/withdrawn
- 13 Place : Zoetermeer
- 14 Date : 22 SEP. 1997
- 15 Signature :



- 16 The list of documents deposited with the Administrative Service which has granted approval is annexed to this communication and may be obtained on request:
- 1 drawing No. 80036001/2 Sheet 5 de 8 dated 25-08-97 (annexed)
  - test report as mentioned in item 8

754-7503



RDW

Centrum voor voertuigtechniek en informatie  
N E D E R L A N D  
(THE NETHERLANDS)

E4



COMMUNICATION

Concerning: APPROVAL GRANTED  
~~APPROVAL EXTENDED~~  
~~APPROVAL REFUSED~~  
~~APPROVAL WITHDRAWN~~  
~~PRODUCTION DEFINITELY DISCONTINUED~~

of a type of rear fog lamp pursuant to Regulation No. 38

Approval No.: E4 - 38R - 00 9445

Extension No.: --

Approval mark:

F  
00

E4

9445

- |   |                                                                |   |                                                                                   |
|---|----------------------------------------------------------------|---|-----------------------------------------------------------------------------------|
| 1 | Trade name or mark of the device                               | : | JOKON                                                                             |
| 2 | Manufacturer's name for the type of device                     | : | LAMP 2000 (LH or RH)                                                              |
| 3 | Manufacturer's name and address                                | : | Fabrilcar<br>Componentes para Automóveis, Lda.<br>Oliveira de azemeis<br>Portugal |
| 4 | Name and address of his representative                         | : | --                                                                                |
| 5 | Submitted for approval on                                      | : | June 9, 1997                                                                      |
| 6 | Technical service responsible for conducting approval test     | : | N.V. KEMA                                                                         |
| 7 | Date of test report                                            | : | July 4, 1997                                                                      |
| 8 | Number of test report                                          | : | 97-144                                                                            |
| 9 | Concise description<br>Number and category of filament lamp(s) | : | P21W, one lamp                                                                    |

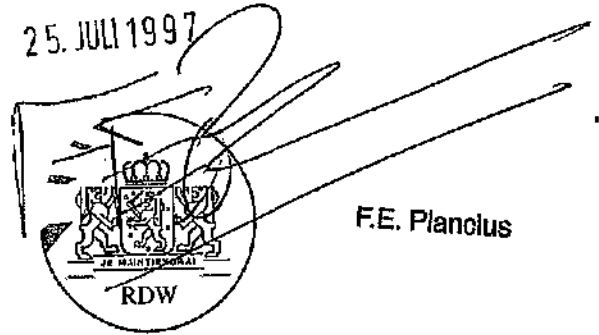




Approval No.: E4 - 38R - 00 9445

Extension No.: --

- 10 Position of the approval mark : see annexed drawing
- 11 Reasons for extension if applicable : --
- 12 Approval granted/refused/extended/withdrawn
- 13 Place : Zoetermeer
- 14 Date : 25. JULI 1997
- 15 Signature :



- 16 The list of documents deposited with the Administrative Service which has granted approval is annexed to this communication and may be obtained on request:
- 1 drawing No. 80036001/2 Sheet Nr. 3 de 6 dated 4-06-97 (annexed)
  - test report as mentioned in item 8

751-5887



RDW

Centrum voor voertuigtechniek en informatie

N E D E R L A N D  
(THE NETHERLANDS)



COMMUNICATION

Concerning: APPROVAL GRANTED  
~~APPROVAL EXTENDED~~  
~~APPROVAL REFUSED~~  
~~APPROVAL WITHDRAWN~~  
~~PRODUCTION DEFINITELY DISCONTINUED~~

of a type of retroreflecting device pursuant to Regulation No. 3

Approval No.: E4 - 3R - 02 9445

Extension No.: --

Approval mark:

IA  
02



9445

- |   |                                                                                                    |   |                                                                                  |
|---|----------------------------------------------------------------------------------------------------|---|----------------------------------------------------------------------------------|
| 1 | Trade name or mark of the device                                                                   | : | JOKON                                                                            |
| 2 | Manufacturer's name for the type of device                                                         | : | LAMP 2000 LH/RH                                                                  |
| 3 | Manufacturer's name and address                                                                    | : | Fabrilcar Componentes para<br>Automóveis, Lda<br>Oliveira de azemeis<br>Portugal |
| 4 | Name and address of his representative                                                             | : | --                                                                               |
| 5 | Submitted for approval on                                                                          | : | August 4, 1997                                                                   |
| 6 | Technical service responsible for conducting approval test                                         | : | N.V. KEMA                                                                        |
| 7 | Date of test report                                                                                | : | September 8, 1997                                                                |
| 8 | Number of test report                                                                              | : | 97-190                                                                           |
| 9 | Concise description:<br>In isolation/part of an assembly of devices<br>Colour of the light emitted | : | white/red                                                                        |



Approval No.: E4 - 3R - 02 9445

Extension No.: --

- 10 Position of the approval mark : see annexed drawing
- 11 Reasons for extension if applicable : --
- 12 Approval granted/refused/extended/withdrawn
- 13 Place : Zoetermeer
- 14 Date : 22 SEP. 1997
- 15 Signature :



- 16 The list of documents deposited with the Administrative Service which has granted approval is annexed to this communication and may be obtained on request:
- 1 drawing No. 80036001/2 Sheet 7 de 8 dated 25-08-97 (annexed)
  - test report as mentioned in item 8

751-7503