



RDW

Centrum voor voertuigtechniek en informatie

N E D E R L A N D
(THE NETHERLANDS)

COMMUNICATION

Concerning: ~~APPROVAL GRANTED~~
~~APPROVAL EXTENDED~~
~~APPROVAL REFUSED~~
~~APPROVAL WITHDRAWN~~
~~PRODUCTION DEFINITELY DISCONTINUED~~

of a type of retroreflecting device pursuant to Regulation No. 3

Approval No.: E4 - 3R - 02 9485

Extension No.: 1

*Approval mark:*IA (E4) 9485
02

- | | | | |
|---|--|---|--|
| 1 | Trade name or mark of the device | : | JOKON |
| 2 | Manufacturer's name for the type of device | : | LAMP 2000 LH or RH |
| 3 | Manufacturer's name and address | : | Fabrilcar Componentes para
Automóveis, Lda
Oliveira de azemeis
Portugal |
| 4 | Name and address of his representative | : | -- |
| 5 | Submitted for approval on | : | April 23, 1998; <u>January 13, 1999</u> |
| 6 | Technical service responsible for conducting approval test | : | N.V. KBMA |
| 7 | Date of test report | : | May 8, 1998; <u>January 20, 1999</u> |
| 8 | Number of test report | : | 98-004; <u>99-004</u> |
| 9 | Concise description:
In isolation /part of an assembly of devices
Colour of the light emitted | : | white/red/amber |





FABRILCAR COMPONENTES PARA AUTOMOVEIS, LDA

RUA DR. SILVA PINTO - ZONA INDUSTRIAL - APARTADO 131
OLIVEIRA DE AZEITEIS CODEX - PORTUGAL
TELES. 351 56 686522/3 * FAX 351 56 686524

Part Name:
TRIANGLE FOR BACKUP LIGHT

Drawn by:
J. Vidal Date
21-12-98

Part Number: **80036060**

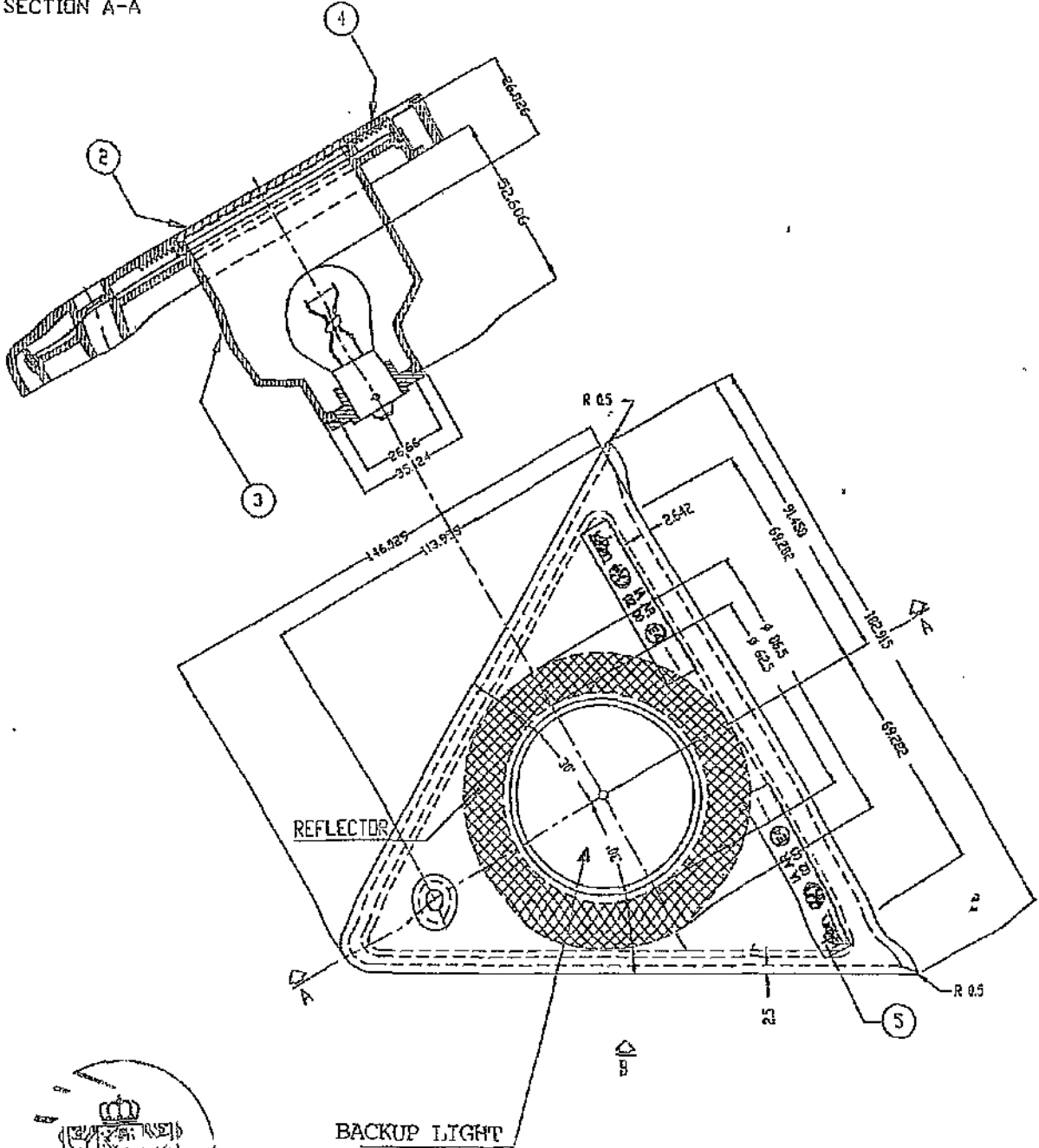
Checked by:
[Signature] Sheet No.
1 de 2

Drawing No: **80036060**

Johann & Konen GmbH & Co
Rosenbach 42
D-53229 Bonn

VARIATION: 2

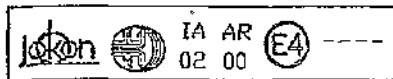
SECTION A-A



MEMORIA DESCRITIVA	
1 -	MOVEMENT OF VEHICLE
2 -	LENS FOR BACKUP LIGHT (PC HT GREY)
3 -	HOUSING (PC - ALUMINIUM PAINTED)
4 -	LENS FOR CIRCULAR REFLECTOR (PC RED)
5 -	LOCATION OF APPROVAL MARKING

NOTE:
- DIMENSIONS - mm
- SCALE 1:2

LAYOUT OF APPROVAL
MARKING



nur für
Fa. Kuuss