

we think transport



THERE'S NOTHING LIGHTER.

BPW Airlight II with lightweight options



Reduce weight and cut costs today.

5+3
YEARS

ECO Plus
WARRANTY

Every kilogram of usable load counts, especially when transporting liquid and bulk goods. This is why BPW has developed two innovative lightweight components on the basis of the modular BPW Airlight II system that help reduce the weight of the already light BPW Airlight II running gear even further – without compromising stability or durability. With the LightTube (trailing arm) and the high-strength alloy forging hub, both of which can also be installed independently of each other, it is possible to save 90 kg per vehicle with a 3-axle suspension. This sets a new benchmark in the market – a module weight of less than 370 kg. This considerable weight advantage translates into lower fuel consumption, greater load capacity and savings of approx. 900 euros per year and vehicle!

IMPRESSIVE BENEFITS

- You gain valuable competitive advantages thanks to an increased load capacity and lower fuel consumption.
- You benefit from a more comfortable drive thanks to the lower sprung mass.
- You benefit from greater flexibility in production thanks to the optional, bolt-on Airlight II air suspension hanger bracket.
- You save approx. 900 euros per year and vehicle.

WHAT YOU NEED TO KNOW

- The modular design makes installation and maintenance easy.
- The wheel alignment can be easily adjusted via standard adjustable air suspension hanger brackets.
- Requires no maintenance in on-road use thanks to clamped spring seat arrangement (up to 9 t).
- 5 + 3 years ECO Plus warranty with unlimited mileage in on-road operation throughout Europe.

THE BPW EFFECT

900€

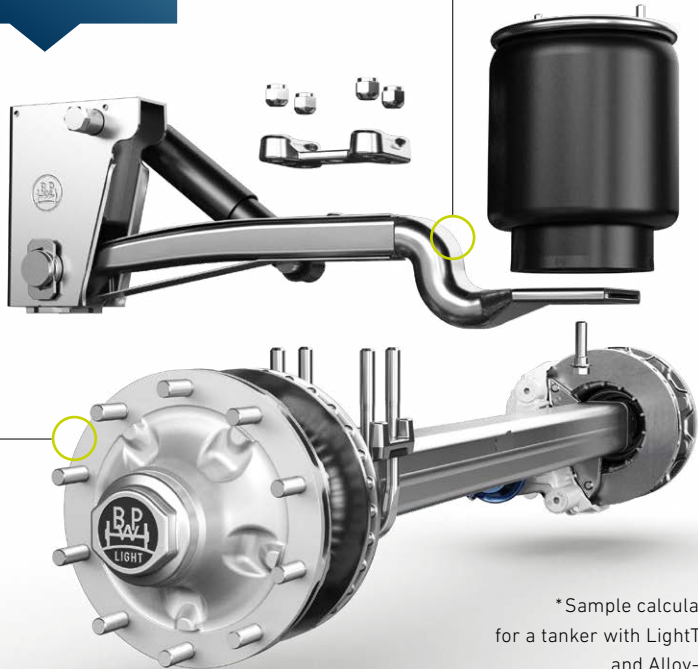
in savings per
year and vehicle*

LightTube

13 kg
saved

Alloy hub

18 kg
saved



* Sample calculation
for a tanker with LightTube
and Alloy-hub

REACH THE MAXIMUM WEIGHT SAVING
IN TWO EXTENSION STAGES:

STANDARD
Airlight II
Modul

OPTION 1
LightTube
-13 kg

OPTION 2
Alloy-
hub
-18 kg

OPTION 1+2
Airlight II
with lightweight
options
-31 kg

398 kg

-31 kg

<370 kg

The brands of the BPW Group:



BPW Airlight II lightweight options 18891901 e **conception GmbH**

BPW Bergische Achsen Kommanditgesellschaft

Postbox 12 80 · 51656 Wiehl, Germany · Telephone +49 (0) 2262 78-0

info@bpw.de · **www.bpw.de**