

we think transport



SAVINGS³.

BPW LightTube (lightweight trailing arm)



Start saving threefold: weight, costs and CO₂!



When transporting goods, every excess kilogram causes unnecessary costs and emissions. This means that the key to greater efficiency and CO₂ savings lies in reducing the unladen weight of your vehicle – while maintaining the same functionality and sturdiness.

When combined with the lightweight components Airlight II and Alunabe, BPW LightTube results in the lightest running gear on the market. You benefit from an additional load of 96 kg per vehicle, which translates into additional turnover of 960 euros thanks to the increased payload. This means you save threefold: weight, fuel and CO₂!

IMPRESSIVE BENEFITS FOR YOU AS AN **OPERATOR**



- You benefit from an additional load of 96 kg per vehicle and a module weight of under 370 kg.
- You benefit from a more comfortable drive thanks to the lower sprung mass.



- You benefit from additional turnover per vehicle and year of up to 960 euros.*
- Your vehicles require zero maintenance in on-road use thanks to the clamped spring seat arrangement (up to 9 t).
- You benefit from the 5 + 3 year ECO Plus warranty with unlimited mileage in on-road operation throughout Europe.



- You gain valuable competitive advantages thanks to an increased load capacity and lower fuel consumption.

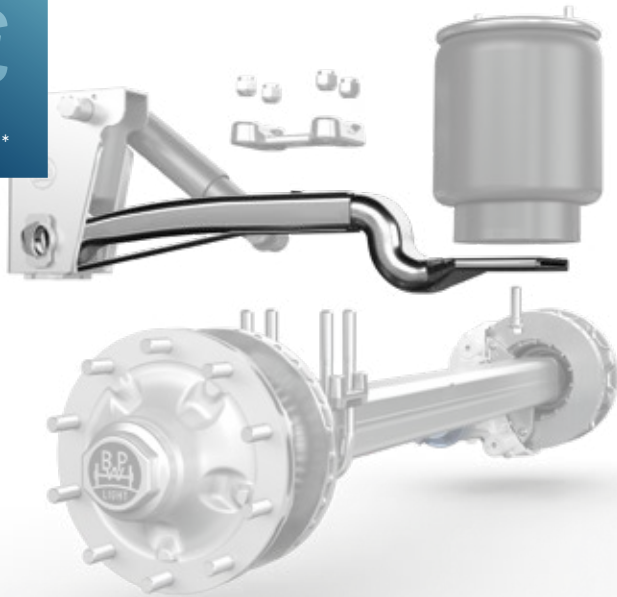
**In the 9 t axle load range.

THE BPW EFFECT

960€

Additional revenue
(Per year and vehicle)*

www.bpw.de/en/lightweight-options



IMPRESSIVE BENEFITS FOR YOU AS A **MANUFACTURER**



- Even extremely lightweight construction solutions can be implemented individually for each customer.



- The optional screw-on Airlight II air suspension hanger brackets offer maximum production flexibility.
- The modular design makes installation and maintenance easy.



- The wheel alignment can be easily adjusted via standard adjustable air suspension hanger brackets.

* Sample calculation for a tanker with LightTube and aluminium hub.

The brands of the BPW Group



BPW LightTube Lightweight 19122001e **conception GmbH**

BPW Bergische Achsen Kommanditgesellschaft

Postbox 12 80 · 51656 Wiehl, Germany · Telephone +49 (0) 2262 78-0

info@bpw.de · **www.bpw.de**